

# Product data sheet

Specifications



photo-electric sensor - XUK - diffuse  
- Sn 1m - 12..24VDC - cable 5m

XUK5ANANL5

⚠ Discontinued

## Main

|                               |                                        |
|-------------------------------|----------------------------------------|
| Range of product              | Telemecanique Photoelectric sensors XU |
| Series name                   | General purpose single mode            |
| Electronic sensor type        | Photo-electric sensor                  |
| Sensor name                   | XUK                                    |
| Sensor design                 | Compact 50 x 50                        |
| Detection system              | Diffuse                                |
| Material                      | Plastic                                |
| Type of output signal         | Discrete                               |
| Supply circuit type           | DC                                     |
| Wiring technique              | 3-wire                                 |
| Discrete output type          | NPN                                    |
| Discrete output function      | 1 NO                                   |
| Electrical connection         | Cable                                  |
| Cable length                  | 5 m                                    |
| Product specific application  | -                                      |
| Emission                      | Infrared diffuse                       |
| [Sn] nominal sensing distance | 1 m diffuse                            |

## Complementary

|                           |                                                   |
|---------------------------|---------------------------------------------------|
| Enclosure material        | PBT                                               |
| Lens material             | PMMA                                              |
| Maximum sensing distance  | 1.5 m diffuse                                     |
| Output type               | Solid state                                       |
| Wire insulation material  | PVC                                               |
| Status LED                | 1 LED (yellow) for output state                   |
| [Us] rated supply voltage | 12...24 V DC                                      |
| Switching capacity in mA  | <= 100 mA (overload and short-circuit protection) |
| Switching frequency       | <= 250 Hz                                         |

|                               |                                |
|-------------------------------|--------------------------------|
| <b>Maximum voltage drop</b>   | <1.5 V (closed state)          |
| <b>Current consumption</b>    | <= 35 mA no-load               |
| <b>Maximum delay first up</b> | 15 ms                          |
| <b>Maximum delay response</b> | 2 ms                           |
| <b>Maximum delay recovery</b> | 2 ms                           |
| <b>Setting-up</b>             | Without sensitivity adjustment |
| <b>Depth</b>                  | 50 mm                          |
| <b>Height</b>                 | 50 mm                          |
| <b>Width</b>                  | 18 mm                          |
| <b>Net weight</b>             | 0.19 kg                        |

## Environment

|                                              |                                                                           |
|----------------------------------------------|---------------------------------------------------------------------------|
| <b>Product certifications</b>                | CE<br>CSA<br>UL                                                           |
| <b>Ambient air temperature for operation</b> | -25...55 °C                                                               |
| <b>Ambient air temperature for storage</b>   | -40...70 °C                                                               |
| <b>Vibration resistance</b>                  | 7 gn, amplitude = +/- 1.5 mm (f = 10...55 Hz) conforming to IEC 60068-2-6 |
| <b>Shock resistance</b>                      | 30 gn (duration = 11 ms) conforming to IEC 60068-2-27                     |
| <b>IP degree of protection</b>               | IP65 double insulation conforming to IEC 60529                            |

## Packing Units

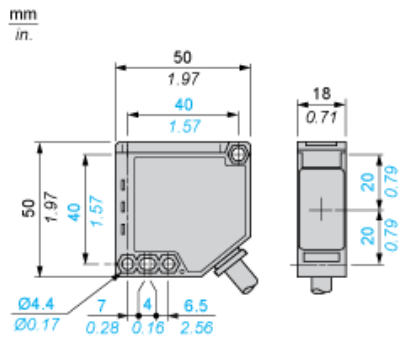
|                         |          |
|-------------------------|----------|
| <b>Package 1 Weight</b> | 0.300 kg |
| <b>Package 1 Height</b> | 1.300 dm |
| <b>Package 1 width</b>  | 0.850 dm |
| <b>Package 1 Length</b> | 1.200 dm |

## Contractual warranty

|                 |           |
|-----------------|-----------|
| <b>Warranty</b> | 18 months |
|-----------------|-----------|

Dimensions

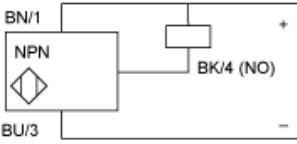
---



**Wiring Schemes**

---

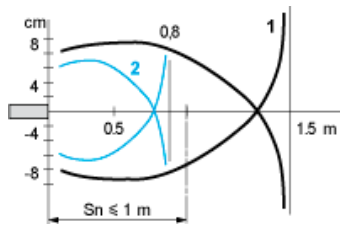
**NPN Outputs**



- BN :** Brown
- BU :** Blue
- BK :** Black

**Detection Curves**

---





1 : White 90%  
2 : Grey 18%

Object 10 x 10 cm

**Recommended replacement(s)**

XUK5ANANL5 is replaced by the following group of products:

|    |                                                                                     |                                                                                   |
|----|-------------------------------------------------------------------------------------|-----------------------------------------------------------------------------------|
| 1x |    | Photoelectric sensors XU, XUK, diffuse, Sn 1 m, 12...24 VDC, M12<br>XUK5ANANM12   |
| 1x |  | Pre wired connectors XZ, elbowed female, M12, 4 pins, cable PUR 5 m<br>XZCP1241L5 |